



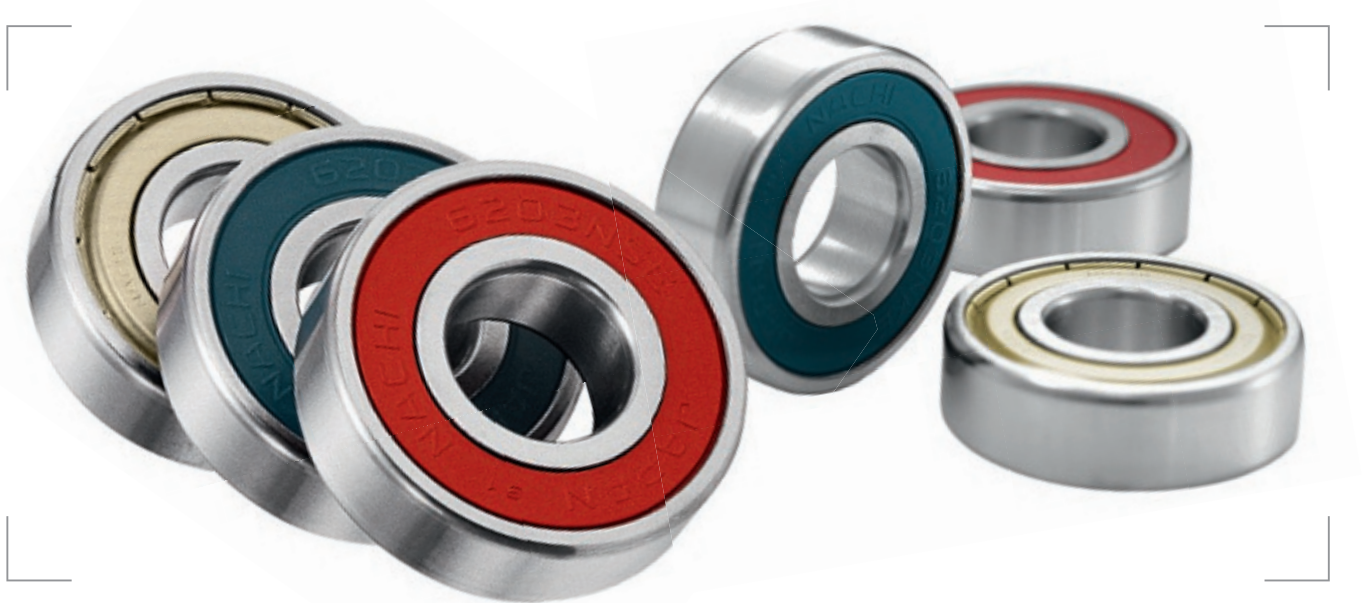
DEEP GROOVE BALL BEARINGS



CELEBRATE THE POLE POSITION



Top quality leader due to
NACHI's high clean steel



For Higher Performance and Reliability

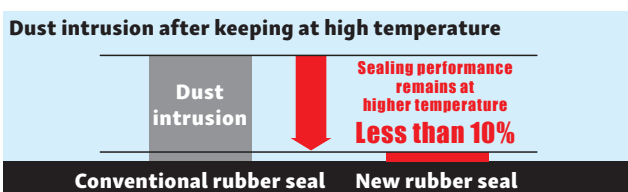
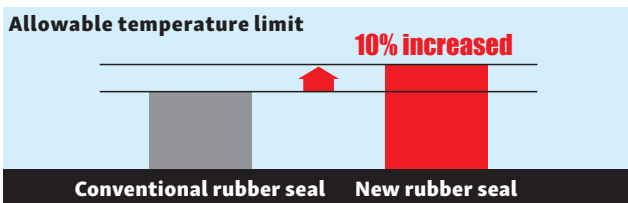
Recent trends show an increasing demand for bearings capable of handling higher speeds and higher temperature conditions. NACHI Quest Deep Groove Ball Bearings' specification meet these requirements. To ensure the world's highest quality, we rely on materials as well as machine- and lubrication-technologies developed and produced by NACHI. Our synergy guarantees exceptional durability, efficient and quiet operation.

Heat-resistant rubber seals

High temperatures cause hardening of the rubber sealing lips, allowing contaminants to penetrate the bearing. New heat-resistant nitrile rubber seals maintain sealing performance at high temperature.

NACHI high performance grease

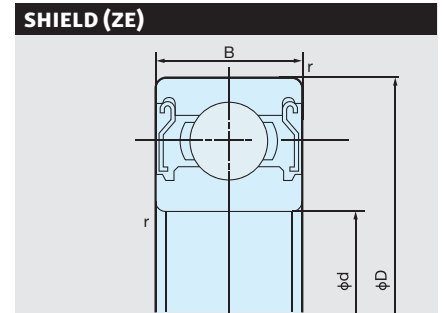
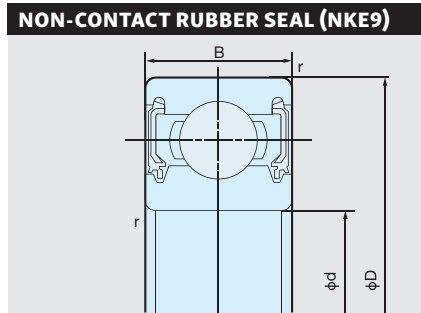
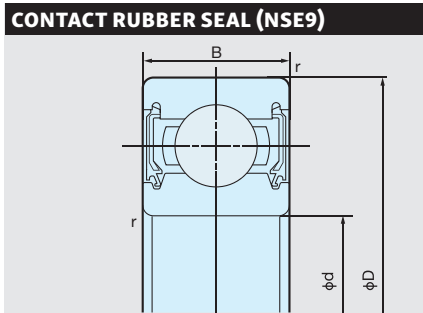
- ▶ Modifying the base oil improves high-temperature performance without sacrificing the low noise and low torque properties of the conventional grease.
- ▶ New standard grease has two times longer grease life than the conventional grease at 120°C.



Test bearing	6206-2NSE, 6206-2NSE9
Condition	Muddy water sprayed
Rotating speed	1000 rpm (Inner ring rotation), Intermittent test period 20 hours
Test method	Compare the amount of dust in test bearings with rubber seals degraded at high temperature (140°C x 70 hours)

Test bearing	6203-2NKE
Rotating speed	10000 rpm (Inner ring rotation)
Radial load	Fr=500 N
Ambient temp.	120°C

Dimensions / Specifications



Bearing No.			Boundary dimensions (mm)				Basic dynamic load rating Cr(N)	Basic static load rating Cor(N)	Limiting speed(min ⁻¹)	
Contact rubber seals	Non-contact rubber seals	Shields	d	D	B	r (min)			Grease lubrication	
									2NSE9	2NKE9,ZZE
6000-2NSE9	6000-2NKE9	6000ZZE	10	26	8	0.3	4,550	1,970	22,000	30,000
6200-2NSE9	6200-2NKE9	6200ZZE		30	9	0.6	5,100	2,390	18,000	25,000
6300-2NSE9	6300-2NKE9	6300ZZE		35	11	0.6	8,100	3,450	17,000	23,000
6001-2NSE9	6001-2NKE9	6001ZZE	12	28	8	0.3	5,100	2,390	18,000	28,000
6201-2NSE9	6201-2NKE9	6201ZZE		32	10	0.6	6,800	3,050	17,000	22,000
6301-2NSE9	6301-2NKE9	6301ZZE		37	12	1.0	9,750	4,250	16,000	20,000
6002-2NSE9	6002-2NKE9	6002ZZE	15	32	9	0.3	5,600	2,840	15,000	24,000
6202-2NSE9	6202-2NKE9	6202ZZE		35	11	0.6	7,650	3,700	15,000	20,000
6302-2NSE9	6302-2NKE9	6302ZZE		42	13	1.0	11,400	5,400	13,000	17,000
6003-2NSE9	6003-2NKE9	6003ZZE	17	35	10	0.3	6,000	3,250	14,000	22,000
6203-2NSE9	6203-2NKE9	6203ZZE		40	12	0.6	9,550	4,800	12,000	18,000
6303-2NSE9	6303-2NKE9	6303ZZE		47	14	1.0	13,600	6,550	11,000	16,000
6004-2NSE9	6004-2NKE9	6004ZZE	20	42	12	0.6	9,400	5,000	11,000	18,000
6204-2NSE9	6204-2NKE9	6204ZZE		47	14	1.0	12,800	6,600	11,000	16,000
6304-2NSE9	6304-2NKE9	6304ZZE		52	15	1.1	15,900	7,900	10,000	14,000
6005-2NSE9	6005-2NKE9	6005ZZE	25	47	12	0.6	10,100	5,850	9,500	15,000
6205-2NSE9	6205-2NKE9	6205ZZE		52	15	1.0	14,000	7,900	9,000	13,000
6305-2NSE9	6305-2NKE9	6305ZZE		62	17	1.1	23,600	12,100	8,100	12,000
6006-2NSE9	6006-2NKE9	6006ZZE	30	55	13	1.0	13,200	8,300	8,000	13,000
6206-2NSE9	6206-2NKE9	6206ZZE		62	16	1.0	19,500	11,300	7,500	11,000
6306-2NSE9	6306-2NKE9	6306ZZE		72	19	1.1	26,700	15,000	6,700	10,000
6007-2NSE9	6007-2NKE9	6007ZZE	35	62	14	1.0	16,000	10,300	6,800	12,000
6207-2NSE9	6207-2NKE9	6207ZZE		72	17	1.1	25,700	15,300	6,300	9,800
6307-2NSE9	6307-2NKE9	6307ZZE		80	21	1.5	33,500	19,200	6,000	8,800
6008-2NSE9	6008-2NKE9	6008ZZE	40	68	15	1.0	16,800	11,500	6,100	10,000
6208-2NSE9	6208-2NKE9	6208ZZE		80	18	1.1	29,100	17,900	5,600	8,700
6308-2NSE9	6308-2NKE9	6308ZZE		90	23	1.5	40,500	24,100	5,300	7,800
6009-2NSE9	6009-2NKE9	6009ZZE	45	75	16	1.0	20,900	15,200	5,400	9,200
6209-2NSE9	6209-2NKE9	6209ZZE		85	19	1.1	32,500	20,500	5,300	7,800
6309-2NSE9	6309-2NKE9	6309ZZE		100	25	1.5	53,000	32,000	4,800	7,000
6010-2NSE9	6010-2NKE9	6010ZZE	50	80	16	1.0	21,800	16,600	5,000	8,500
6210-2NSE9	6210-2NKE9	6210ZZE		90	20	1.1	35,000	23,200	4,800	7,100
6310-2NSE9	6310-2NKE9	6310ZZE		110	27	2.0	62,000	38,000	4,300	6,400

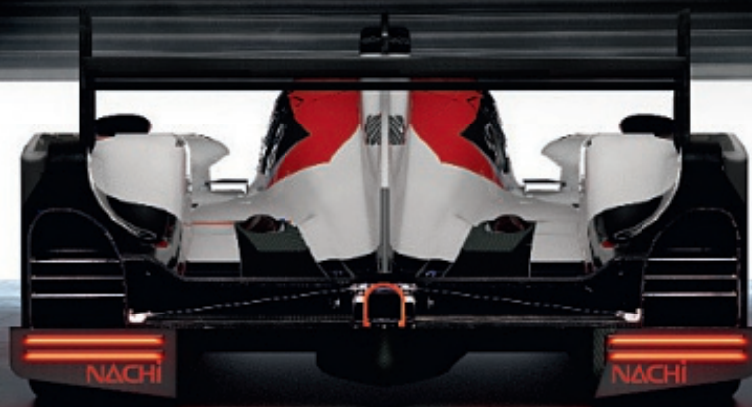
The appearance and specifications may be changed without prior notice if required to improve performance.

Every care has been taken to ensure the accuracy of the information contained in this catalogue but no liability can be accepted for any errors or omissions.

NACHI

NACHI EUROPE GmbH

OUR SYNERGY
YOUR PERFORMANCE



MADE IN JAPAN

NACHI-FUJIKOSHI CORP.

TOKYO

Shiodome Sumitomo Bldg., 1-9-2 Higashi-shinbashi, Minato-ku Tokyo, JAPAN
Phone: +81 3 5568-5240 | Fax: +81 3 5568-5236

TOYAMA

1-1-1 Fujikoshi-Honmachi, Toyama, JAPAN
Phone: +81 76 423-5111 | Fax: +81 76 493-5211

Web: www.nachi-fujikoshi.co.jp/

NACHI EUROPE GmbH

Bischofstr. 99 | DE-47809 Krefeld, Germany | Phone: +49 2151 650 46-0 | Fax: +49 2151 650 46-90 | Web: www.nachi.de | Email: info@nachi.de